



# APPLICATION MANUAL

## PRECAUTIONS:

- Check the humidity and the temperature of both the surface & surrounding area.
- Do not apply in direct sunlight, on a hot surface or under a heat lamp.
- Keep away from children.



### STEP #1

Shake  
**NAPPA CLEANER**  
Before Use.



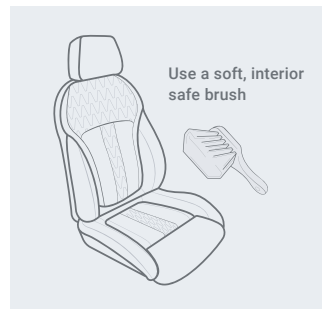
### STEP #2

Make sure the vehicle is in a cool environment. Do not wash in direct sunlight.



### STEP #3

Spray evenly across the surface, or spread foam onto applicator and apply.



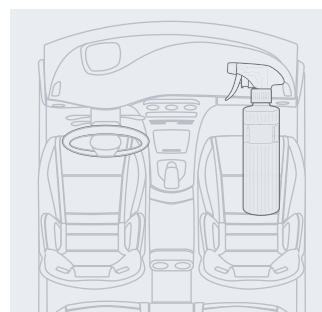
### STEP #4

If needed, agitate with detailing brush



### STEP #5

Wipe away with a microfiber towel.



### STEP #6

Repeat as necessary.